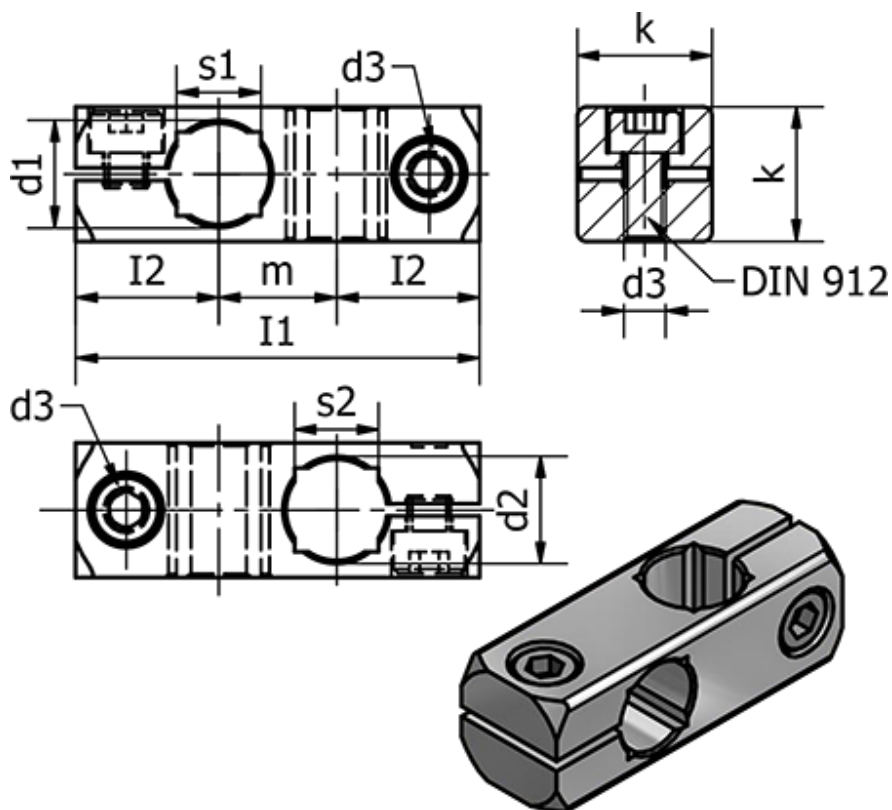


Article number: 20474B12B12MT

Description: E+G Two-way clamp mounting - GN 474-B12-B12-MT

## Measures



Clamping kit for d3 = GN 511-M5-16

d1 h11 = 12

d2 h11 = 12

d3 = 5

I1 = 48

I2 = 17

k = 16

m = 14

s1 = 10

s2 = 10

Weight (g) = 25